



2016 Crystal Clock Oscillator

■ Holder Type: CX(2.0x1.6mm)

Frequency Range:

1.00MHz to 80.00MHz / 32.768kHz

Features:

- High Reliability & Low Cost Unit
- Tight Stability & Extended Temperature Available
- Lead-free Type



Actual Size



CLOCK
OSCILLATORS

■ Standard Specifications

Item	Value	
Frequency Range	1.00 to 80.00MHz / 32.768kHz	
Frequency Tolerance @ 25 °C	±30ppm, ±50ppm, ±100ppm	
Operating Temperature Range	0 °C to +70 °C / -40 °C to +85 °C (other operating range also available)	
Operable Temperature Range	-55 °C to +125 °C	
Output Type	HCMOS	
Output Load	15pF Max	
Operating Voltage	1.8V / 3.3V ±10%	
Current Consumption (Max.)	1.8V 1 - 16MHz: 5mA 17 - 80MHz: 15mA 32.768kHz: 0.2mA	3.3V 1 - 16MHz: 7mA 17 - 80MHz: 20mA 32.768kHz: 0.2mA
Output Symmetry	HCMOS:40~60%(at 50%V _{DD}) 45~55% is available	
“High” Output Voltage	HCMOS: 90%V _{DD} Min	
“Low” Output Voltage	HCMOS: 10%V _{DD} Max	
Rise and Fall Time	1 - 80MHz: 7ns Max 32.768kHz: 30ns Max	
Tri-State	Yes	
Ageing	Max. 5ppm / year	

* For special requirements not included in our standard datasheet, please contact sales representative.

Note:

1. Manufacturer reserves the right to change the specification and content of this product for improvement without notification.
2. Custom specification is welcome. Please contact our sales representative for further details.
3. If the crystal is intended for applications which have direct impact on human life and properties, and require a high degree of reliability and safety concerns, customers must provide full information such as but not limit to the application, electrical and reliability specification at the inquiry beginning stage.
4. Customers have to agree to the “Guideline for handling crystal units” and “Standard Terms and Condition of Sales” which is printed this catalog before placing orders to our company or our distributors. There are also unpredictable factors such as applied condition, oscillation margin and etc and customers must check them beforehand. In case of queries, please do not fail to send inquiry to our company before ordering.

http://www.hongkongcrystal.com
 E-mail: China: sales.cn@hongkongcrystal.com
 HongKong/Overseas: inquiry@hongkongcrystal.com

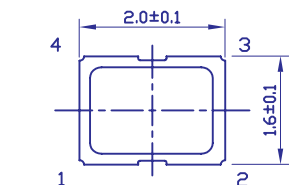
HongKong/Ov
 Shenzhen: T:+

TELCONA

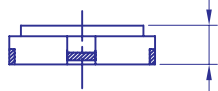
TELCONA AG • Im Vorderasp 4 • CH-8154 Oberglatt • Switzerland
 Tel. +41 (0) 44 860 25 50 • Fax +41 (0) 44 860 28 22
 info@telcona.com • www.telcona.com



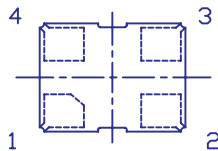
■ Dimensions (mm) and Solder Pad Layout (mm)



TOP VIEW

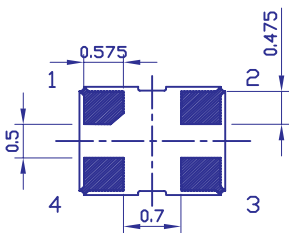


FRONT VIEW



- 1--INH
- 2--GND
- 3--OUTPUT
- 4--VDD

INH	"H" Or Open	"L" (Standby)
OUTPUT	Enable	High Impedance



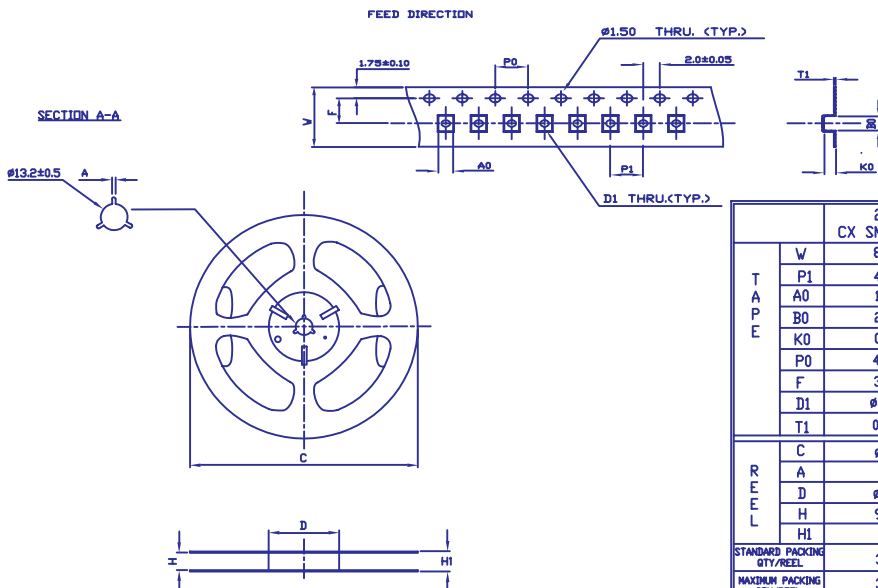
BOTTOM VIEW

MARKING INFORMATION



- XXXXXX = CRYSTAL FREQUENCY
- yyyyyy - 2-7 DIGITS TRACEABILITY CODE

■ Tape & Reel (mm)



		2.0x1.6 CX SMD Oscillator	
T A P E	W	8.0±0.20	
	P1	4.0±0.1	
	A0	1.85±0.1	
	B0	2.25±0.1	
	K0	0.95±0.1	
	P0	4.0±0.1	
	F	3.50±0.05	
	D1	Ø1.05±0.10	
R E E L	T1	0.25±0.05	
	C	Ø178 ^{+0.3}	
	A	2.5 ^{+0.3}	
	D	Ø60.2±0.5	
	H	9.0±0.3	
	HI	12±1.4	
STANDARD PACKING QTY/REEL		3000PCS	
MAXIMUM PACKING QTY/REEL		3000PCS	