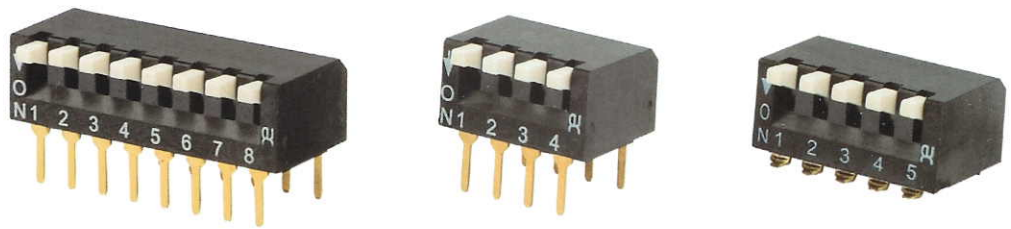


DSPV Series



SWITCH OPERATION AND TAPING

- ① Use Tweezers or ball point pen for operation
 - ② Flux cleaning should be done without removing the Tape.
 - ③ If the tape is removed, it adhered less than before when it is placed back on, possibly causing flux inflow.
 - ④ Do Not Remove Tape sealed before Reflow processing.
 - ⑤ Ultrasonic cleaning not recommended without Tape sealed
- *Keep all actuators in "OFF" position during soldering and cleaning process.
 *Any flux enters the switch may influence contact function.

FEATURES

- ① All materials are UL94V0 grade, high temperature resistant plastic.
- ② Twin contact design to ensure stable contact
- ③ Gold-plated contact to ensure low contact resistance tin plated terminals to prevent contamination during soldering.

MATERIAL

Part Name	Material	Finished
Base	UL94V0(PPS)	Black
Cover	UL94V0(PPS)	Black
Actuator	UL94V0(PA46)	White
Movable	Copper Alloy	Gold/Tin
Terminal Contact	Brass	Gold/Tin
Terminal	Brass	Gold/Tin

RATINGS

Contact Rating	Switching	25mA at 24VDC
	Non-Switching	100mA at 50VDC
Contact Resistance	Initial	50mΩ Max.
	After life	100mΩ Max.
	Insulation Resistance	100MΩ Min. 60sec at 500VDC
	Dielectric Strength	500V DC for 60 seconds
	Switch Capacitance	5pF Max. at 1M Hz
	Operation Temperature	-40°C~+85°C
	Storage Temperature	-40°C~+85°C
Mechanical & Processing	Operation Force	1000gf Max.
	Mechanical Life	3000 cycles operations
	Resistance to Soldering	260 ± 5°C for 3-5 seconds
	Electrical Life	2000 cycles 25mA 24VDC

DIMENSIONS (UNIT:MM)

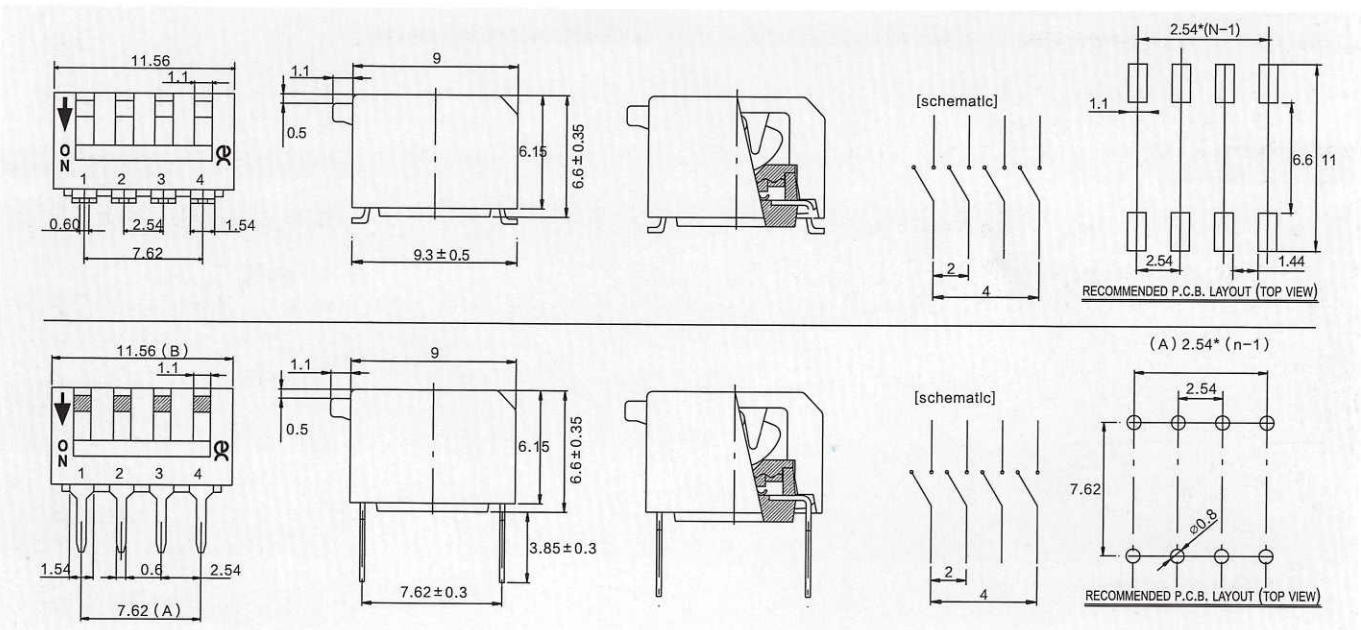
Gold/Gold Plated Type P/N	Dimensions mm(inch)		Quantity per Tube
	A	B	
DSPV02LH/SGET	2.54(0.1)	6.48(0.26)	77
DSPV03LH/SGET	5.08(0.2)	9.02(0.36)	55
DSPV04LH/SGET	7.62(0.3)	11.56(0.46)	41
DSPV05LH/SGET	10.16(0.4)	14.10(0.56)	34
DSPV06LH/SGET	12.70(0.5)	16.64(0.66)	29
DSPV07LH/SGET	15.24(0.6)	19.18(0.76)	25
DSPV08LH/SGET	17.78(0.7)	21.72(0.86)	22
DSPV10LH/SGET	22.86(0.9)	26.80(1.06)	18
DSPV12LH/SGET	27.94(1.1)	31.88(1.26)	15

Piece/Tape & Reel : 500 pcs/R

ORDER INFORMATION

DSPV	04	T	S	G	E	T
Piano Type	Positions: 02=2 Position 03=3 Position 08=8 Position	Terminal H=Straight S=SMD type	Finish E=3u"Gold-plated F=10u"Gold-plated A=12u"Gold-plated B=20u"Gold-plated G=30u"Gold-plated	Actuator: L=Extension S=Low profile W/O Tape	Finish G=Full Gold S=Contat-Gold-plated Tetminal-Tin Plated	Packing R=Tepe&Reel T=Tube

DRAGRAM



ENVIRONMENTAL TEST

Cold Resistance Test	Switches under temperature at -40°C ± 2°C for 96 hours.
Dry Heat Resistance Test	Switches under temperature at 85°C ± 2°C for 96 hours.
Humidity Test	Per MIL-STD-202F, Method 103B, Test Condition B: There shall be no evidence of corrosion and the insulation resistance shall be no less than 100 megaohms.
Vibration Test	Per MIL-STD-202F, Method 204D, Test Condition A: There shall be no opening of closed contacts or closing of open contacts in excess of 10 microseconds.
Shock Test	Per MIL-STD-202F, Method 213B, Test Condition A: There shall be no opening of closed contacts or closing of open contacts in excess of 10 microseconds.
Thermal Shock Test	Per MIL-STD-202F, Method 107G, Test Condition A: There shall be no evidence of physical damage or permanent change in electrical characteristics.
Salt-Spray Test	Per MIL-STD-202F, Method 101D, Test Condition B: There are under 35 ± 2°C in temperature and 5 ± 1% salt-water concentration for 48 ± 1 hour.