

Actual size



Features

- Provides 100MHz HCSL output for interfacing to standard PCIe devices.
- Low Jitter(non-PLL)
- Ceramic package and metal lid assures extreme accuracy and high reliability.
- Lead-free soldering is available.
- Applications : PCI Express, Server, SAS, Network Switch/ Router, SATA, Telecom Switch, Graphics Card, Media Box

Specifications

Item	Symbol	Specifications			
		Min.	Typ.	Max.	Note
Frequency	F0	100 MHz			As specified
Frequency Stability	FT	±50 ppm			See ※1 below
Storage temperature range		-55°C		+125°C	
Operating temperature range	TR	-40°C		+85°C	As specified
Supply voltage	Vcc	2.97V	3.30V	3.63V	
Current consumption	Icc/OE		50mA	60mA	
Disable current	Icc/OD			25mA	
Logic type	LT	HCSL			
Output voltage "0"level	V _{OL}	-0.15V		0.15V	
Output voltage "1"level	V _{OH}		0.70V	0.85V	
Output load		See Test Circuit			output requires termination
Symmetry	SYM	45%		55%	Mesured 50% of waveform
Rise time / Fall time	T _R /T _F			700ps	Mesured from V _{OL} =0.175V to V _{OH} =0.525V
Phase jitter	RMS(1-σ)			1ps	Offset frequency : 12kHz to 20MHz
Output Phase Jitter-PCIe Gen2			1.8ps RMS	2.5ps RMS	As defined by PCI-SIG for PCIeG2 reference clock

※1 Stability includes all combinations of operating temperature ,load changes , rated input (supply) voltage changes,initial calibration tolerance(25°C),aging(5 years at 40°C average effective ambient temperature),shock and vibration.

Output Enable /Disable Function

Item	Min.	Typ.	Max.	Note
Input Voltage(OE pin),Output Enable	2.2V			or open
Input Voltage(OE pin),Output Disable			0.8V	Outputs disabled to Hi-Z
Output Disabel Delay			200ns	
Output Enabel Delay			10ms	

- Bypass capacitor should be connected between V_{DD} and GND due to the stabilized operation for the crystal oscillator.
- Please consult us for customized specifications.
- All specifications and markings subjected to change without notice.



RIVER ELETec CORPORATION

URL <http://www.river-ele.co.jp>

Headquarters in Japan(Yamanashi)

TEL 81-551-22-1211 FAX 81-551-22-6645

Domestic Sales Department

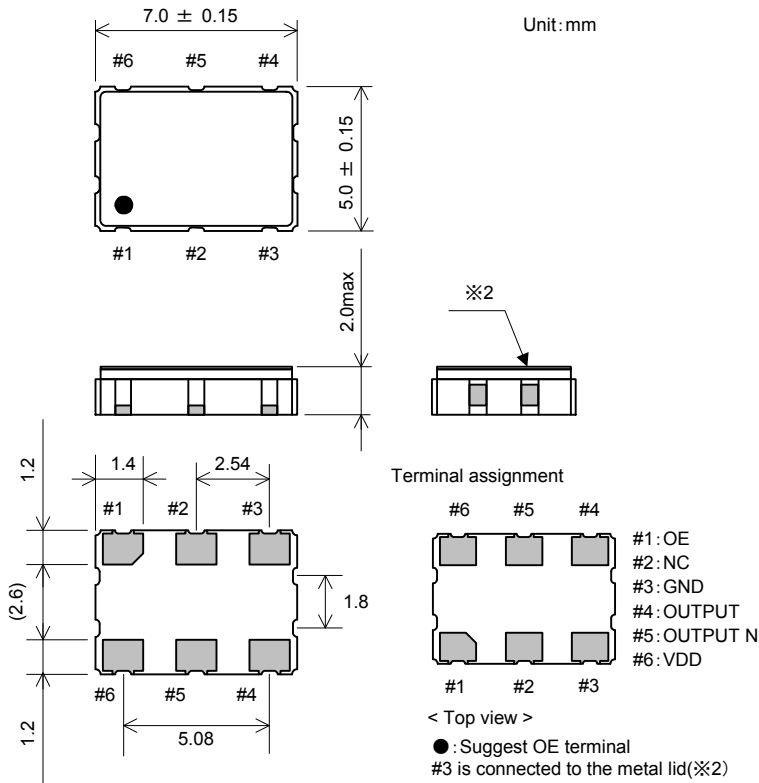
Tokyo Office TEL 81-3-3377-5444 FAX 81-3-3374-2865
Osaka Office TEL 81-6-6998-4888 FAX 81-6-6998-4899

Overseas Sales Department

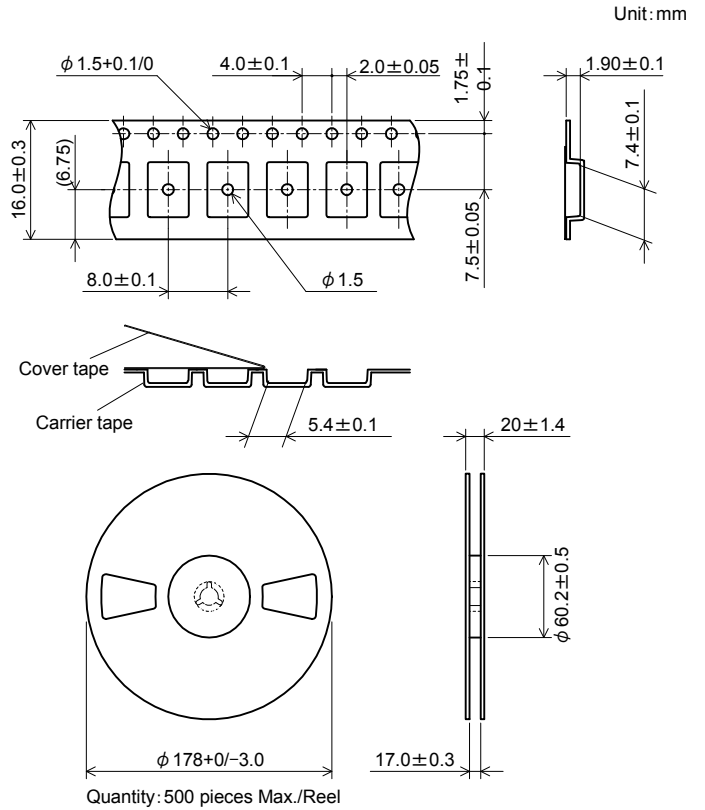
River Electronics Pte.Ltd.(Singapore) TEL 65-6258-7874 FAX 65-6258-7366
Taiwan River Co.,Ltd.(Chinese Taipei) TEL 886-2-8988-2811 FAX 886-2-2983-4785
Xi'an River Electronics Corp.(China) TEL 86-755-86528590 FAX 86-755-86528590

FCX0-75HC

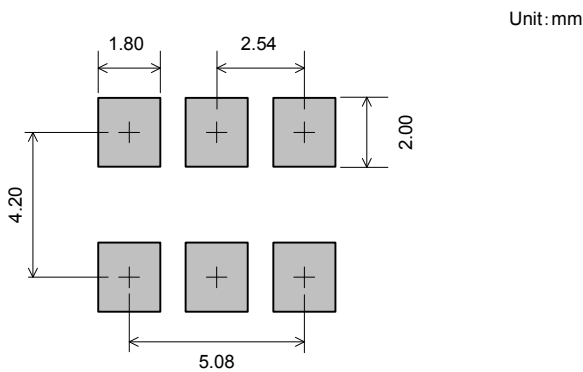
Dimensions



Taping



Land dimensions



Test Circuit

