



## HC49US SMD-3 Crystals

■ Holder Type: N3/NS/N4

### Frequency Range:

3.01MHz to 100.00MHz

### Features:

- High Reliability & Low Cost Unit
- Tight Stability & Extended Temperature Available
- Lead-free Type
- For automotive applications, please contact our sales representative



Actual Size



QUARTZ CRYSTALS

## ■ Standard Specifications

Item	Value
Frequency Range	3.01 to 100.00 MHz
Frequency Tolerance	±30ppm (tighter tolerance also available)
Frequency Tolerance over Temperature range	±50ppm (tighter tolerance also available)
Operating Temperature Range	-10 °C to +60 °C (other operating range also available)
Operable Temperature Range	-40 °C to +85 °C
Equivalent Series Resistance (ESR)	Please refer to the ESR Table
Drive Level	50µW (0.001µW to 1000µW also available)
Load Capacitance	12pF (3pF, 4.5pF, 6pF and series also available)
Aging	±5ppm/year

## ■ ESR Table

Frequency Range (MHz)	Mode	Standard ESR (Ohm)
3.01 to 3.5	AT Cut Fund.	300
3.5 to 4.0	AT Cut Fund.	150
4.0 to 4.5	AT Cut Fund.	130
4.5 to 5.0	AT Cut Fund.	110
5.0 to 6.0	AT Cut Fund.	80
6.0 to 7.0	AT Cut Fund.	60
7.0 to 10.0	AT Cut Fund.	50
10.0 to 13.0	AT Cut Fund.	40
13.0 to 50.0	AT Cut Fund.	30
27.0 to 100.0	BT Cut	40
26.0 to 100.0	3rd Overtone	100

Note:

1. Manufacturer reserves the right to change the specification and content of this product for improvement without notification.
2. Custom specification is welcome. Please contact our sales representative for further details.
3. If the crystal is intended for applications which have direct impact on human life and properties, and require a high degree of reliability and safety concerns, customers must provide full information such as but not limit to the application, electrical and reliability specification at the inquiry beginning stage.

<http://www.hongkongcrystal.com>

E-mail: China: salescn1@hongkongcrystal.com

HongKong/Overseas: inquiry@hongkongcrystal.com

HongKong/Ove

Shenzhen: T:+8

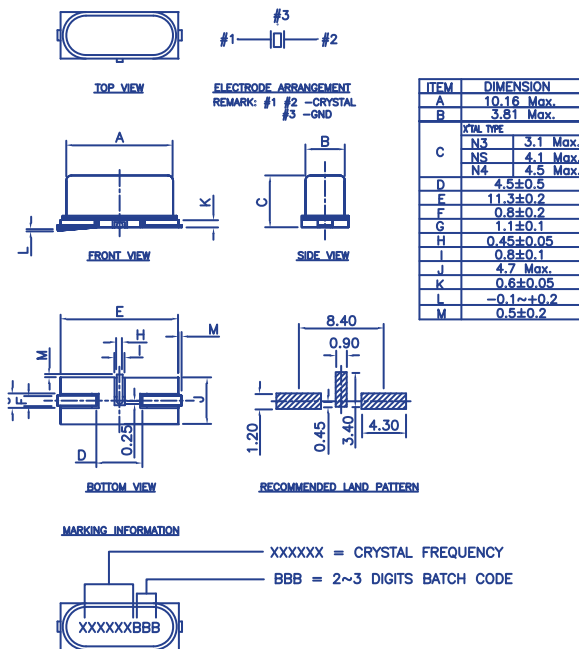
Shanghai: T:+8

# TELCONA

TELCONA AG • Im Vorderasp 4 • CH-8154 Oberglatt • Switzerland  
Tel. +41 (0) 44 860 25 50 • Fax +41 (0) 44 860 28 22  
info@telcona.com • www.telcona.com



### ■ Dimensions (mm) and Solder Pad Layout (mm)



QUARTZ CRYSTALS

### ■ Tape & Reel (mm)

