

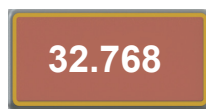


### Frequency Range:

32.768 kHz

### Features:

- High Reliability & Low Cost Unit
- Compact Design
- RoHS Compliant



Actual Size



## ■ Standard Specifications

Item	P8 (3.2x1.5)
Frequency Range	32.768kHz
Equivalent Series Resistance (ESR)	70kΩ Max.
Frequency Tolerance @ 25 °C	±20ppm
Temperature Coefficient	-0.040 ppm /°C <sup>2</sup> Max.
Operating Temperature Range	-40 °C to +85 °C
Operable Temperature Range	-55 °C to +125 °C
Load Capacitance	7.0pF , 9.0pF , 12.5pF are standard
Drive Level	0.1μW Typ. (0.5μW Max.)
Shunt Capacitance	1.8pF Max.
Ageing	±3ppm/year

### Note:

1. Manufacturer reserves the right to change the specification and content of this product for improvement without notification.
2. Custom specification is welcome. Please contact our sales representative for further details.
3. If the crystal is intended for applications which have direct impact on human life and properties, and require a high degree of reliability and safety concerns, customers must provide full information such as but not limit to the application, electrical and reliability specification at the inquiry beginning stage.
4. Customers have to agree to the "Guideline for handling crystal units" and "Standard Terms and Condition of Sales" which is printed this catalog before placing orders to our company or our distributors. There are also unpredictable factors such as applied condition, oscillation margin and etc and customers must check them beforehand. In case of queries, please do not fail to send inquiry to our company before ordering.

<http://www.hongkongcrystal.com>

E-mail: China: [sales.cn@hongkongcrystal.com](mailto:sales.cn@hongkongcrystal.com)

HongKong/Overseas: [inquiry@hongkongcrystal.com](mailto:inquiry@hongkongcrystal.com)

HongKong/Overseas  
Shenzhen: T: +86 755 2600 8888

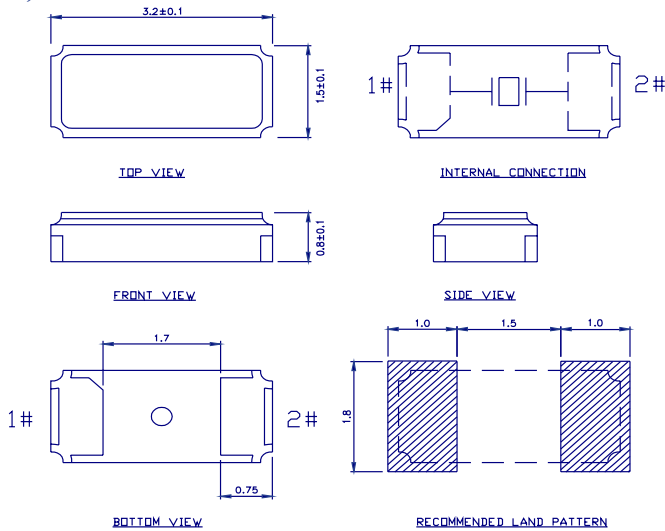
# TELCONA

TELCONA AG • Im Vorderasp 4 • CH-8154 Oberglatt • Switzerland  
Tel. +41 (0) 44 860 25 50 • Fax +41 (0) 44 860 28 22  
[info@telcona.com](mailto:info@telcona.com) • [www.telcona.com](http://www.telcona.com)

QUARTZ  
CRYSTALS

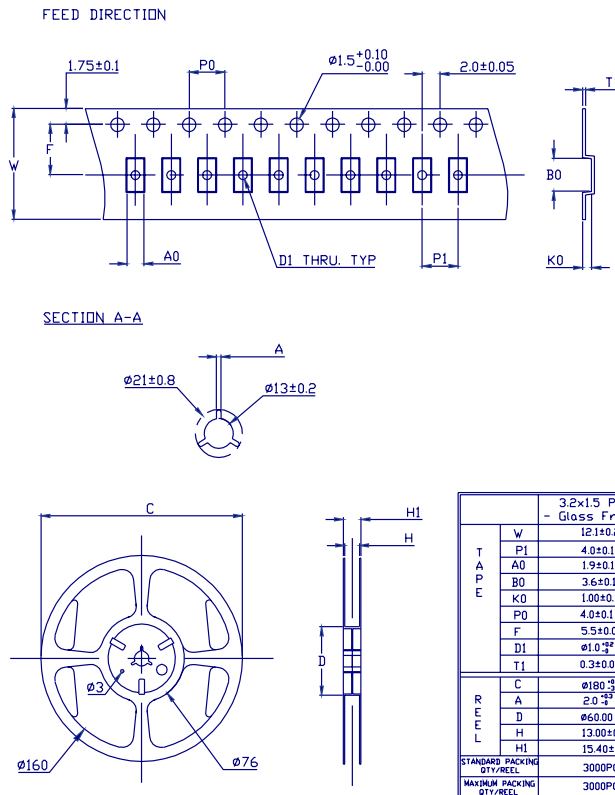


### ■ Dimensions (mm)



QUARTZ  
CRYSTALS

### ■ Tape & Reel (mm)



		3.2x1.5 P8 - Glass Frit
T A P E	W	121±0.20
	P1	4.0±0.1
	A0	1.9±0.1
	B0	3.6±0.1
	K0	1.00±0.1
	P0	4.0±0.1
	F	5.5±0.05
	D1	ø1.0 <sup>±0.05</sup>
	T1	0.3±0.05
	R E E L	C
A		2.0 <sup>±0.3</sup>
D		ø60.00
H		13.00±0.3
H1		15.40±1
STANDARD PACKING QTY/REEL		3000PCS
MAXIMUM PACKING QTY/REEL		3000PCS