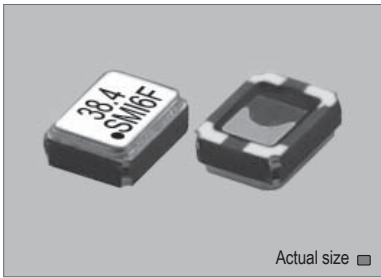


SXO-1612 SERIES (+1.8V to +3.3V FIXED MODELS) 1.6x1.2 mm

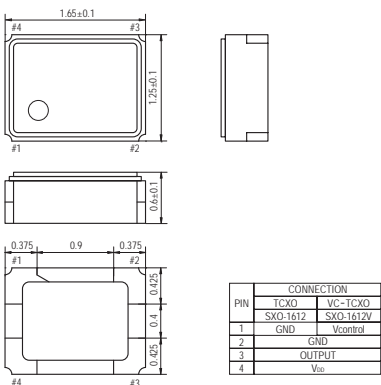
STANDARD SMD TCXO

SXO-1612

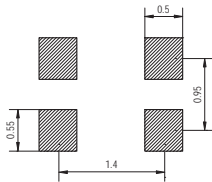


Actual size 0.005 gm (wt.)

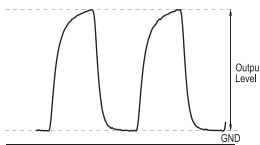
SXO-1612



SOLDERING PATTERN

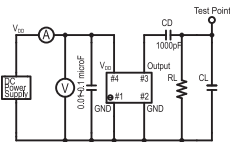


OUTPUT WAVEFORM



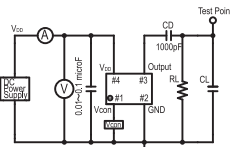
TEST CIRCUIT

SXO-1612



CD: DC-Cut capacitance
RL: 10kOhm ± 10%
CL: 10pF ± 10% including fixture and probe capacitance

SXO-1612V



CD: DC-Cut capacitance
RL: 10kOhm ± 10%
CL: 10pF ± 10% including fixture and probe capacitance

STANDARD SPECIFICATIONS

● CLIPPED SINE WAVEFORM
● PACKAGE SIZE 1.6x1.2 mm

Item		Specifications						
General part number		SXO-1612* ¹	SXO-1612V* ¹					
Frequency range		19.200 MHz to 52.000 MHz						
Initial frequency tolerance at +25°C ±2°C		±1.5 ppm max.* ²	±1.5 ppm max.(Vcon = 1/2 VDD)* ²					
TCXO or VC-TCXO		TCXO	VC-TCXO					
Frequency Stability	Temperature range	±2 ppm max. over -30°C to +85°C (referred to +25°C)* ³						
	Input voltage change	±0.2 ppm max. at VDD ±5% DC						
	Output load change	±0.2 ppm max. at 10 kΩ ±10% with 10 pF ±10%						
	Aging	±1 ppm max. per year at +25°C ±3°C						
Operating Conditions	Operating temperature	-30°C to +85°C (Standard) -40°C to +85°C (W = Option, frequency dependent)						
	Supply voltage (VDD)	D = +1.8V, F = +2.5V, H = +2.8V (Standard), J = +3.0V, K = +3.3V DC ±5%						
	Control voltage (Vcon)	n.a.	+0.9V ±0.8V (VDD = +1.8V) 1/2 VDD ±1V DC (VDD = +2.5V to +3.3V)					
Absolute Max. Ratings	Supply voltage	-0.6V to +4.6V DC						
	Vcontrol voltage (Vcon)	n.a.	-0.6V to VDD +0.6V DC					
	Storage temperature	-40°C to +85°C						
Input current		1.5 mA max. (19.200 MHz to 30.000 MHz) 1.7 mA max. (30.000 MHz to 52.000 MHz)						
Output (-40°C to +85°C)	Level	0.8 Vp-p min.						
	Load	10 kΩ // 10 pF						
	Waveform	Clipped sine wave (DC-coupling)						
Frequency adjustment voltage control (Vcon)	n.a.	±8 ppm to ±13 ppm (VDD = +1.8V)						
		±9 ppm to ±15 ppm (VDD = +2.5V to +3.3V)						
Frequency slope	n.a.	Positive						
Harmonic distortion	-5 dBc max.							
Start-up time	2 ms max. (Vout ≥ 90%Vp-p)							
SSB phase noise	-135 dBc / Hz, Typical at 1 kHz offset							
IR reflow resistance	±1 ppm max. (referred to frequency before reflow)							
Reflow condition	+250°C ±10°C for 10 seconds +170°C ±10°C for 1 to 2 minutes (preheating)							
Standard frequencies (MHz)		19.200, 26.000, 38.400, 52.000						
Optional Operating Temperature* ⁴	Low limit / Symbol	-10°C / g	-15°C / h	-20°C / i	-25°C / j	-30°C / k	-35°C / l	-40°C / m
	High limit / Symbol	+55°C / ff	+60°C / gg	+65°C / hh	+70°C / ii	+75°C / jj	+80°C / kk	+85°C / ll

(*¹) Final part number to be assigned with package type, TCXO or VC-TCXO, input voltage, operating temperature and frequency. e.g. SXO-1612V-J-S-38.400MHz
 (*²) Referred to nominal frequency before reflow soldering.
 (*³) At Vcon = 1/2 VDD DC for SXO-1612V.
 (*⁴) Select "low limit" and "high limit" for new operating temperature combination from the lists.

PACKAGE DATA

Item	Package	SXO-1612
Lid		Metal
Base		Ceramic
Sealing		Seam
Terminal		Tungsten (metalized)
Terminal plating		Gold / Nickel (surface) / (under)
RoHS		Compliant (Pb-free)

TAPE SPECIFICATIONS

